

オペレーターキースイッチ

OPERATOR KEYSWITCHES

S-102
黄銅製

S

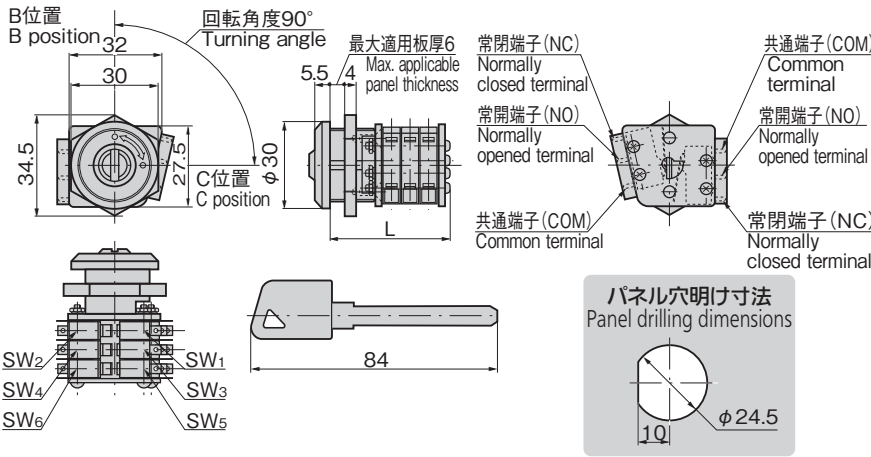
キー
スイッチ



S-102



キーNo.0102
Key



■S-102 鍵イニシャル番号及び組合せ表 S-102 key initial No. and combination table

S-102-6(63通り用) for 63 sets

S-102-2(3通り用) for 3 sets

番号 No.	コード Code	C位置におけるスイッチの状態 Switch status at C position	番号 No.	コード Code	C位置におけるスイッチの状態 Switch status at C position
		SW ₁ SW ₂ SW ₃ SW ₄ SW ₅ SW ₆			SW ₁ SW ₂ SW ₃ SW ₄ SW ₅ SW ₆
001	70650	ON ON ON ON ON ON	201	70682	ON ON ON ON OFF ON
002	70651	OFF ON ON ON ON ON	202	70683	OFF ON ON ON OFF ON
003	70652	ON OFF ON ON ON ON	203	70684	ON OFF ON ON OFF ON
004	70653	OFF OFF ON ON ON ON	204	70685	OFF OFF ON ON OFF ON
005	70654	ON ON OFF ON ON ON	205	70686	ON ON OFF ON OFF ON
006	70655	OFF ON OFF ON ON ON	206	70687	OFF ON OFF ON OFF ON
007	70656	ON ON OFF ON OFF ON	207	70688	ON OFF OFF ON OFF ON
008	70657	OFF OFF OFF ON ON ON	208	70689	OFF OFF OFF ON OFF ON
009	70658	ON ON ON OFF ON ON	209	70690	ON ON ON OFF OFF ON
010	70659	OFF ON ON OFF ON ON	210	70691	OFF ON ON OFF OFF ON
011	70660	ON ON ON OFF ON OFF	211	70692	ON OFF ON OFF OFF ON
012	70661	OFF OFF ON OFF ON ON	212	70693	OFF OFF ON OFF OFF ON
013	70662	ON ON OFF OFF ON ON	213	70694	ON ON OFF OFF OFF ON
014	70663	OFF ON OFF OFF ON ON	214	70695	OFF ON OFF OFF OFF ON
015	70664	ON ON OFF OFF ON OFF	215	70696	ON OFF OFF OFF OFF ON
016	70665	OFF OFF OFF OFF ON ON	216	70697	OFF OFF OFF OFF OFF ON
101	70666	ON ON ON ON ON OFF	301	70698	ON ON ON ON OFF OFF
102	70667	OFF ON ON ON ON OFF	302	70699	OFF ON ON ON OFF OFF
103	70668	ON OFF ON ON ON OFF	303	70700	ON OFF ON ON OFF OFF
104	70669	OFF OFF ON ON ON OFF	304	70701	OFF OFF ON ON OFF OFF
105	70670	ON ON ON OFF ON OFF	305	70702	ON ON ON OFF OFF OFF
106	70671	OFF ON OFF ON ON OFF	306	70703	OFF ON OFF ON OFF OFF
107	70672	ON OFF OFF ON ON OFF	307	70704	ON OFF OFF ON OFF OFF
108	70673	OFF OFF OFF ON ON OFF	308	70705	OFF OFF OFF ON OFF OFF
109	70674	ON ON ON ON OFF OFF	309	70706	ON ON ON OFF OFF OFF
110	70675	OFF ON ON OFF ON OFF	310	70707	OFF ON ON OFF OFF OFF
111	70676	ON OFF ON OFF ON OFF	311	70708	ON OFF ON OFF OFF OFF
112	70677	OFF OFF ON OFF ON OFF	312	70709	OFF OFF ON OFF OFF OFF
113	70678	ON ON ON OFF ON OFF	313	70710	ON ON ON OFF OFF OFF
114	70679	OFF ON OFF OFF ON OFF	314	70711	OFF ON OFF OFF OFF OFF
115	70680	ON OFF OFF OFF ON OFF	315	70712	ON OFF OFF OFF OFF OFF
116	70681	OFF OFF OFF OFF ON OFF			

S-102-4(15通り用) for 15 sets

番号 No.	コード Code	C位置におけるスイッチの状態 Switch status at C position
		SW ₁ SW ₂ SW ₃ SW ₄
001	70650	ON ON ON ON
002	70651	OFF ON ON ON
003	70652	ON OFF ON ON
004	70653	OFF OFF ON ON
005	70654	ON ON OFF ON
006	70655	OFF ON OFF ON
007	70656	ON ON OFF ON
008	70657	OFF OFF OFF ON
009	70658	ON ON ON OFF
010	70659	OFF ON ON OFF
011	70660	ON ON OFF OFF
012	70661	OFF OFF ON OFF
013	70662	ON ON OFF OFF
014	70663	OFF ON OFF OFF
015	70664	ON OFF OFF OFF

- 鍵のご注文は番号・本数をお申付ください。
- 番号はご希望に合わせて打ち変えることができます。
- Specify the No. and quantity when making order.
- Marking No. can be changed upon request.

特徴 Feature

- マイクロスイッチの数により2段階3通りから6段階64通りの回路構成ができ、それぞれ独立した鍵によって操作します。
- 特定のオペレーターはそれぞれの専用鍵を使用するため操作管理が完全です。
- コンパクトでスペースをとりません。
- 取付けが容易です。
- Circuit structure of two-step three sets to six-step 64 sets can be prepared corresponding to the number of microswitches and each independent key is used.
- Operators use their own special key so the operation management is perfect.
- Compact and space-saving.
- Easy-to-install.

仕様	<ul style="list-style-type: none"> ● 材質: 本体/快削黄銅棒 (C3604BD) キー/黄銅板 (C3713P) ● 表面仕上: 本体/クロムめっき (MBCr) キー/ニッケルめっき (MBNi) ● 最大鍵違い数: 各鍵イニシャル番号につき1,000通り ● 鍵番号: No.0102
用途	● 各種コンピュータ・警報装置・在庫管理機器
納期	● 標準在庫品
スイッチ部特性	<ul style="list-style-type: none"> ● 定格: AC125V・5A (抵抗負荷) DC30V・4A (抵抗負荷) ● 最小適用負荷: DC5V・160mA (抵抗負荷) ● 接触抵抗: 50mΩ以下 (初期値) ● 絶縁抵抗: 100MΩ以上 (500VDC) ● 耐電圧: (50/60Hz, 1分間) 同極端子 AC1500V 各端子と非充電金属部間 AC1500V ● 耐久性: 機械的3,000万回以上 電氣的20万回以上 ● 接点素材: 銀めっき ● 使用周囲温度: -25~+85°C (氷結しないこと) ● 使用周囲湿度: 85%RH以下。ただし5~35°Cにて (結露しないこと) ● 耐振動: 10~55Hz 複振幅1.5mm ● 耐衝撃: 50G以上 ● 認定規格: U.L. (使用 SW)
	備考

Specifi-cations	<ul style="list-style-type: none"> ● Material: Main body: Free cutting brass bar (C3604BD) Key: Brass plate (C3713P) ● Finish: Main body: Chrome plating (MBCr) Key: Nickel plating (MBNi) ● Max. key differences: 1,000 per each initial No. ● Key No.: 0102
Specific-use	● Various computers, alarm devices, stock control equipment
Switch character-istic	<ul style="list-style-type: none"> ● Rated: AC125V・5A (resistanced load) DC30V・4A (resistanced load) ● Min. applicable load: DC5V 160mA (resistanced load) ● Contact resistance: 50mΩ or less ● Insulation resistance: 100MΩ or more (500VDC) ● Withstand voltage: (50/60 Hz, one minute) Between same pole teminals: AC1500V Between each teminal and non-charged metal: AC1500V ● Durability: Mechanical: 30,000,000 times or more Electrical: 200,000 times or more ● Contact material: Silver plating ● Ambient temperature: -25°C to +85°C (non-freezing) ● Operating humidity range: 85%RH or less, +5°C to +35°C (non-condensing) ● Vibration resistance: 10 to 55Hz multiple-amplitude 1.5mm ● Impact resistance: 50G or more ● Approved standard: U.L.

商品番号 Product No.	RoHS 10	L	製品質量 (g) Mass	コード Code
S-102-2	●	28	114	40396
S-102-4	●	34.5	119	40397
S-102-6	●	41	123	40398
S-102-KEY	▲		12	表による

- : RoHS10指令対応品
- ▲: RoHS10指令に対応可能です。

コントロール
キースイッチ
ソレノイド付
キースイッチ

オペレーター
キースイッチ
止め金付
キースイッチ
マイクロ
スイッチ

OPERATOR KEYSWITCHES



価格確認