



S-20-90-B-1



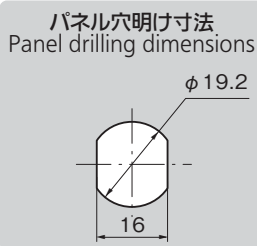
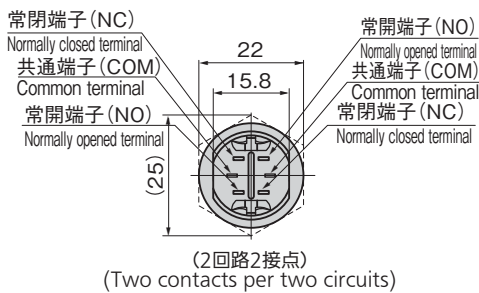
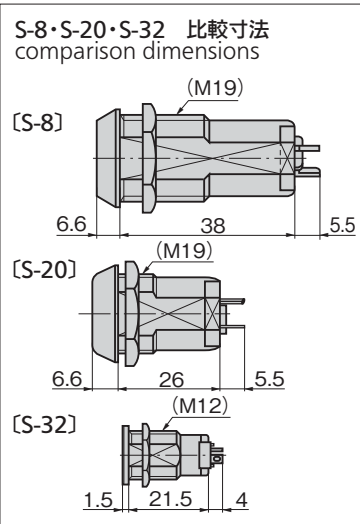
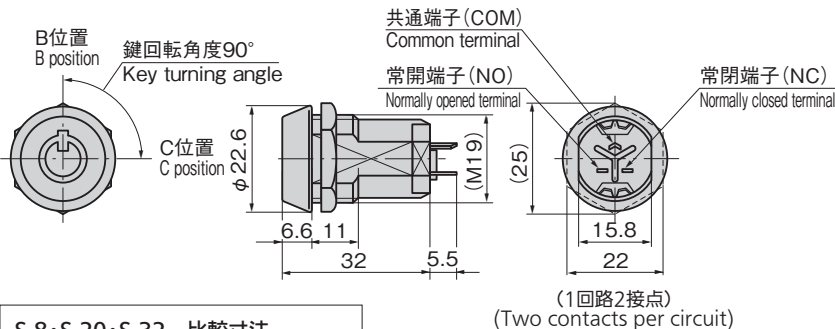
U.L.登録品.: No.: E245410

キーNo.M0020
Key

特徴 Feature

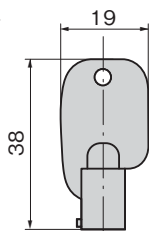
- 従来品S-8のコンパクト化
- 鍵違いは6,000通り
- It's a compact-sized of the current S-8.
- Key differences: 6,000 sets.

| | |
|---------|---|
| 仕様 | <ul style="list-style-type: none"> ● 材質: 本体/快削黄銅棒(C3602BD) 亜鉛合金(ZDC) (ステンレスカバー付) キー/冷間圧延鋼板(SPCC) 快削鋼材(SUM) ● 表面仕上: 本体/クロムめっき(MBCr) 亜鉛めっきクロメート処理(MZn-C) キー/ニッケルめっき(MFNi) ● 同一鍵番号・鍵違いがあります。 ● 付属品: キー2本 ● 製品質量: 60g |
| 用途 | <ul style="list-style-type: none"> ● コンピュータ周辺機器・防犯防災のセキュリティ機器・各種電源スイッチ |
| 納期 | <ul style="list-style-type: none"> ● 標準在庫品 |
| スイッチ部特性 | <ul style="list-style-type: none"> ● 定格: AC125V・3A(抵抗負荷) DC30V・3A(抵抗負荷) ● 最小適用負荷: DC5V・100mA(抵抗負荷) ● 接触抵抗: 20mΩ以下(初期値) ● 絶縁抵抗: 100MΩ以上(500VDC) ● 耐電圧: (50/60Hz, 1分間) 非連続端子間 AC1000V 各端子と非充電金属部間 AC1500V ● 耐久性: 機械的3万回以上 電気的1.5万回以上 ● 接点材料: 銀めっき ● 使用周囲温度: -20~+70°C(氷結しないこと) ● 使用周囲湿度: 85%RH以下(結露しないこと) ● 耐振動: 10~55Hz 振振幅1.5mm ● 耐衝撃: 30G以上 |
| 備考 | <ul style="list-style-type: none"> ● U.L.認定品は1回路のみとなります。 ● 施錠錠は錠前の構造上、鍵を押しながら回してください。 ● 微小負荷タイプはお問合せください。 |



接点構成表 Contact structures table

| 商品番号 Product No. | U.L.認定品 U.L. approved | 鍵回転角度 Key turning angle | B位置 B position | C位置 C position |
|---|--------------------------|----------------------------|-------------------|-------------------|
| S-20-90-B-1 (1回路2接点型) (one-circuit-two-contact type) | ● | 90° B位置 C位置 | ● | ● |
| | ● | | ● | ● |
| S-20-90-BC-1 (1回路2接点型) (one-circuit-two-contact type) | ● | 90° B位置 C位置 | ● | ● |
| | ● | | ● | ● |
| S-20-90-B-2 (2回路2接点型) (two-circuit-two-contact type) | × | 90° B位置 C位置 | ● | ● |
| | × | | ● | ● |
| S-20-90-BC-2 (2回路2接点型) (two-circuit-two-contact type) | × | 90° B位置 C位置 | ● | ● |
| | × | | ● | ● |



| | |
|-----------------------|--|
| Specifications | <ul style="list-style-type: none"> ● Material: Main body: Free cutting brass bar (C3602BD) Zinc alloy (ZDC)(With stainless steel cover) Key: Cold rolled steel plate (SPCC) Free cutting steel (SUM) ● Finish: Main body: Chrome plating (MBCr) Zinc plating chromate treatment (MZn-C) Key: Nickel plating (MFNi) ● Keyed alike and key differences are available. ● Accessories: Two keys ● Mass: 60g |
| Specific-use | <ul style="list-style-type: none"> ● Computer peripherals, crimesproof and fireproof security equipment and various power switches ● Rated: AC125V 3A (resistance load) DC30V 3A (resistance load) ● Min. applicable load: DC5V 100mA (resistance load) ● Contact resistance: 20mΩ or less ● Insulation resistance: 100MΩ or more (500VDC) ● Withstand voltage: (50/60 Hz, one minute) Between non-continuous terminals: AC1000V Between each terminal and non-charged metal: AC1500V ● Durability: Mechanical: 30,000 time or more Electrical: 15,000 time or more ● Contact material: Silver plating ● Ambient temperature: -20°C to +70°C (non-freezing) ● Operating humidity range: 85%RH or less(non-condensing) ● Vibration resistance: 10 to 55Hz multiple-amplitude 1.5mm ● Impact resistance: 30G or more |
| Switch characteristic | <ul style="list-style-type: none"> ● U.L. approved items are one-circuit only. ● Due to the structure of the lock, the key must be pushed in as it is turned in order to release the lock. |
| Remarks | <ul style="list-style-type: none"> ● U.L. approved items are one-circuit only. ● Due to the structure of the lock, the key must be pushed in as it is turned in order to release the lock. |

| 商品番号 Product No. | RoHS 10 | コード Code |
|--------------------------------|---------|-------------|
| S-20-90-B-1同番 Keyed alike | ● | 40152 |
| S-20-90-B-1鍵違い Key differences | ▲ | 40153 |
| S-20-90-B-2同番 Keyed alike | ● | 40219 |
| S-20-90-BC-1同番 Keyed alike | ● | 40154 |
| S-20-90-BC-2同番 Keyed alike | ● | 40221 |

●: RoHS10指令対応品 ▲: RoHS10指令に対応可能です。

