

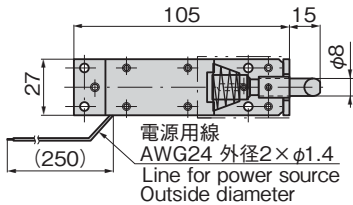
特徴 Feature

- 非常解錠機構取付け可能
- ラッチ機構(自動施錠タイプ)
- 表面・裏面取付け両用
- Emergency unlocking mechanism can be attached.
- Latch mechanism. (auto-locking type)
- Both front and rear surface attachment.

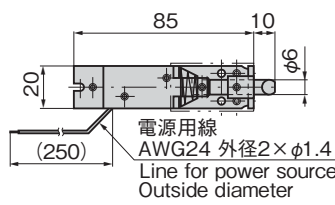


LE-30-11

[LE-30-11]



[LE-30-12]



仕様

- 定格電圧: DC24V ±5%
- 通電率: 100% (連続定格)
- 電源をONにして解錠するソレノイド型電気錠
- 使用周囲温度: -5~+40°C (氷結しないこと)
- 使用周囲湿度: 85%RH以下 (結露しないこと)

用途

- パスボックス・各種ケース

納期

- 標準在庫品

備考

- DC24V以外の仕様は特注です。AC100VタイプはLE-60(1492ページ)をご覧ください。
- 本製品のラッチストローク及び、引込み力、押し出し力は水平取付け時の値です。
- 周囲温度40°Cで、コイル温度上昇分が約65°Cとなる消費電力を定格電圧(連続定格)としています。
- ソレノイドに連続通電すると高温(70°C前後)になります。手が触れる懸念がある場合は放熱を考慮の上、火傷防止の処置をしてください。
- 動作時はラッチの負荷を取除いてください。
- ソレノイドに極性(+・-)はありません。

仕様

- Rated voltage: DC24V ±5%
- Duty cycle: 100% (continuous rating)
- Power-turning-ON-and-unlocking solenoid electric lock (unlocked when energized)
- Ambient temperature: -5°C to +40°C (non-condensing)
- Operating humidity range: 85%RH or less (non-dewing)

Specific use

- Pass boxes and various cases

Remarks

- The latch stroke, the retraction force and the extension force are value in the horizontal installation.
- The rated voltage (continuous rating) is at a power consumption that causes the temperature of the coil to reach 65°C when the ambient temperature is 40°C.
- When continuously energized, the solenoid becomes hot (around 70°C). If there is a risk of it being touched, measures should be taken to prevent burns with consideration given to heat radiation.
- Remove the load on the latch when operating electrically.
- Solenoid has no polarity (+ / -).

Specifications

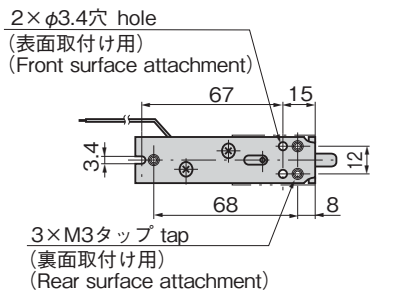
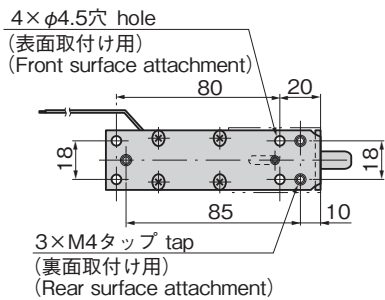
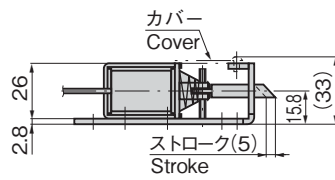
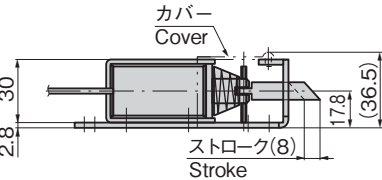
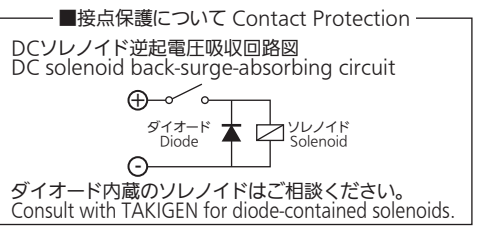
- Rated voltage: DC24V ±5%
- Duty cycle: 100% (continuous rating)
- Power-turning-ON-and-unlocking solenoid electric lock (unlocked when energized)
- Ambient temperature: -5°C to +40°C (non-condensing)
- Operating humidity range: 85%RH or less (non-dewing)

Specific use

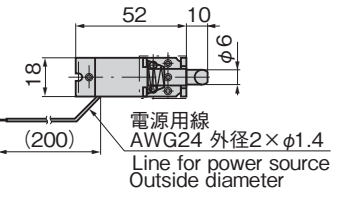
- Pass boxes and various cases

Remarks

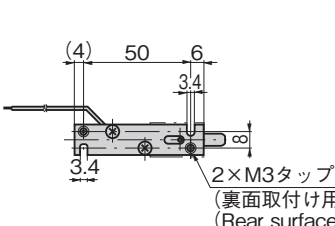
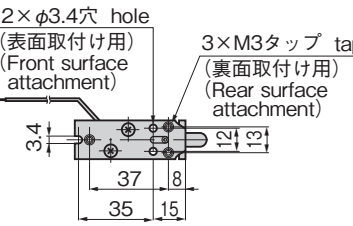
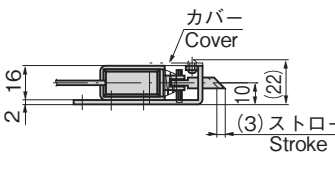
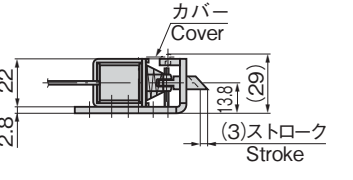
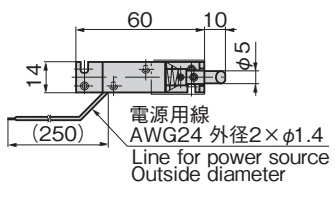
- The latch stroke, the retraction force and the extension force are value in the horizontal installation.
- The rated voltage (continuous rating) is at a power consumption that causes the temperature of the coil to reach 65°C when the ambient temperature is 40°C.
- When continuously energized, the solenoid becomes hot (around 70°C). If there is a risk of it being touched, measures should be taken to prevent burns with consideration given to heat radiation.
- Remove the load on the latch when operating electrically.
- Solenoid has no polarity (+ / -).



[LE-30-13]



[LE-30-14]



商品番号 Product No.	消費電力(W) Consumption power	消費電流(mA) Current power	ラッチ引込力(水平時)N Latch retraction force (at horizontal)	ラッチ押し出し力(水平時)N Latch extension force (at horizontal)	製品質量(g) Mass	コード Code
LE-30-11	6	250	1.47	1.96	310	50115
LE-30-12	3.5	146	0.68	0.98	160	50116
LE-30-13	2.5	104	0.39	0.98	90	50117
LE-30-14	2	83	0.17	0.22	60	50118

●: RoHS10指令対応品 ▲: RoHS10指令に対応可能です。