

C-1625-BK



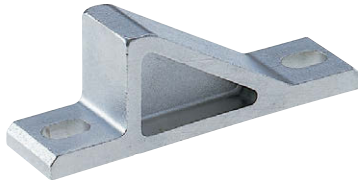
C-1625-ST-2



C-625-ST-7



C-1625-ST-1



C-1625-ST-5



C-1625-ST-6

特徴 Feature

- 各種ラッチ錠に適合したブラケットとストライカーです。
- The bracket and the striker are compatible with each types of latch.

仕様

- 材質:  
C-1625-ST-1・2・BK・C-1376-ST/ステンレス鋼板(SUS304)  
C-1625-ST-5・6/ステンレス鋼物(SUS304)  
C-625-ST-7/冷間圧延鋼板(SPCC)
- 表面仕上:  
C-1376-ST/バレル研磨  
C-1625-ST-5/電解研磨  
C-1625-ST-6/酸洗処理  
C-625-ST-7/亜鉛めっきクロメート処理(MFZn-C)

用途

- ラッチ受け
- 標準在庫品

納期

Specifications

- Material:  
C-1625-ST-1・2・BK・C-1376-ST: Stainless steel plate (SUS304)  
C-1625-ST-5・6: Cast Stainless steel (SUS304)  
C-625-ST-7: Cold rolled steel plate (SPCC)
- Finish:  
C-1376-ST: Barrel polishing  
C-1625-ST-5: Electrolytic polishing  
C-1625-ST-6: Acid treatment  
C-625-ST-7: Zinc plating chromate treatment (MFZn-C)

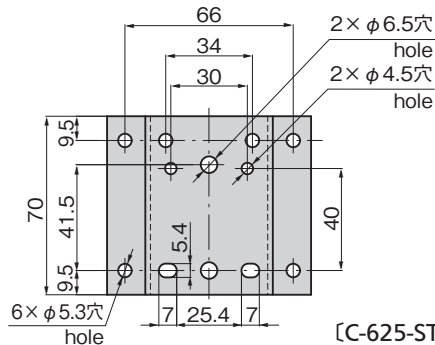
Specific use

- Latch strikers

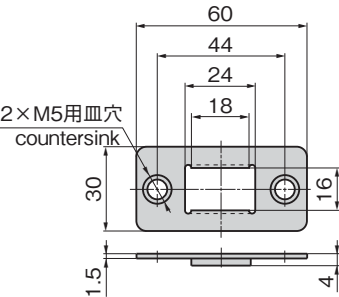
商品番号 Product No.	RoHS 10	製品質量(g) Mass	コード Code
C-1625-BK	●	105	22697
C-1625-ST-1	●	15	22847
C-1625-ST-2	●	16	22270
C-1625-ST-5	●	115	22271
C-1625-ST-6	●	171	23017
C-625-ST-7	●	85	23289
C-1376-ST	●	52	23590

●: RoHS10指令対応品 ▲: RoHS10指令に対応可能です。

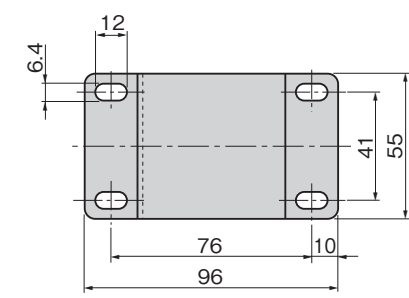
[C-1625-BK]



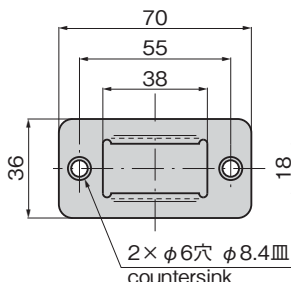
[C-1625-ST-1]



[C-625-ST-7]



[C-1376-ST]



適用ラッチ錠: C-625-1, C-625-2, CP-882など  
Applicable latches

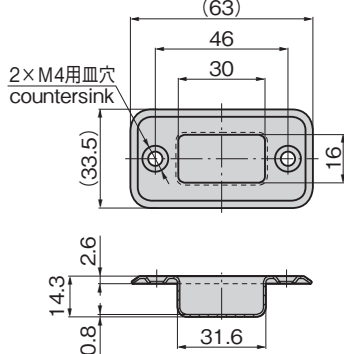
使用例  
Example of application



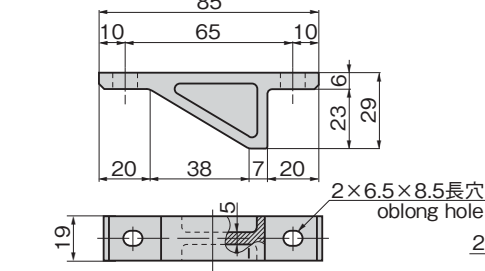
C-1625-BK

適用ラッチ錠: C-1040, C-1625-3, C-1625-4, C-1625-5  
Applicable latches

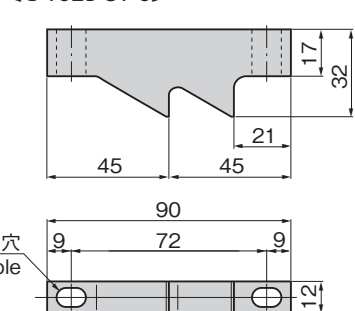
[C-1625-ST-2]



[C-1625-ST-5]



[C-1625-ST-6]



適用ラッチ錠: C-258, C-1040, C-1175, C-1625-3など  
Applicable latches

適用ラッチ錠: C-1625-5  
Applicable latch